

# IAM SERIES

---

## H5 MODELS

### INDEX

---

75	TECHNICAL DATA
76	DIMENSIONAL DRAWINGS
81	POWER CHARTS
83	SIDE LOAD CHARTS
86	ORDERING INSTRUCTIONS

www.Laheghi.com

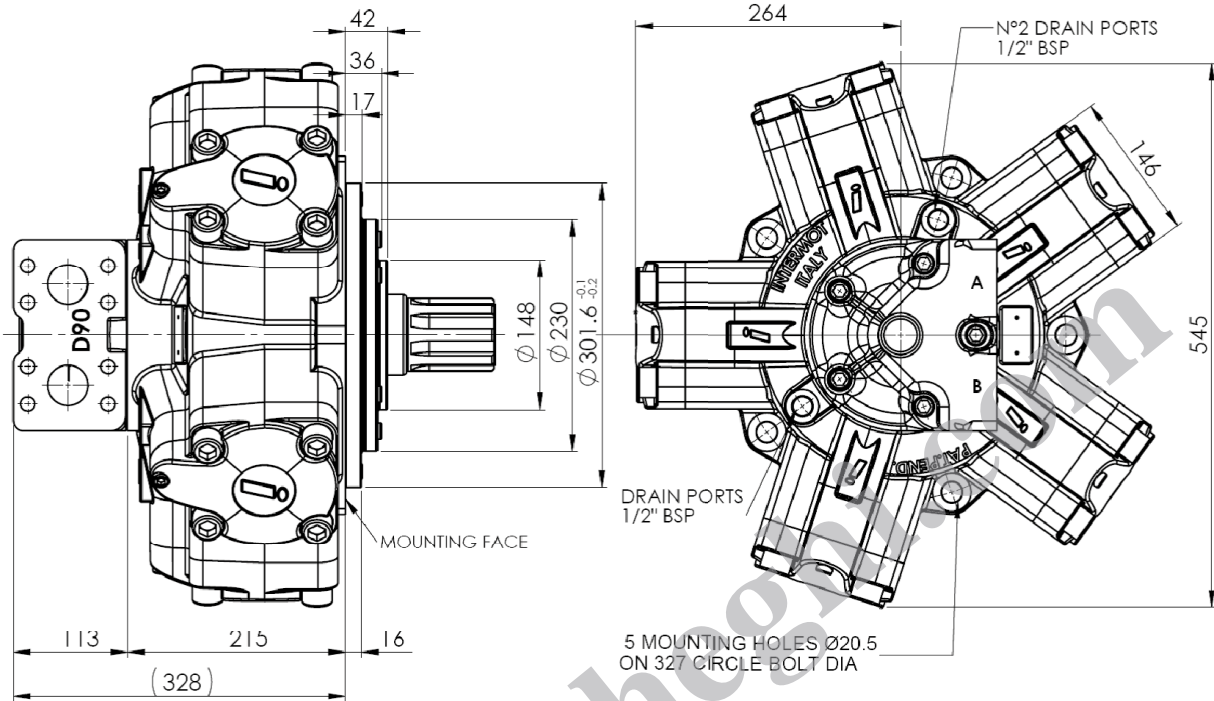
## IAM H5 - TECHNICAL DATA

MODEL	N° of pistons	Displacement cc/ rev	Specific Torque Nm/ bar	Pressure			Speed		Max Case Pressure bar	Max Power hp kW	Dry Weight kg	Inertia moment of rotating parts kg cm <sup>2</sup>		
				Max Cont. bar	Max Int. bar	Peak bar	Max Continuous rpm	Peak rpm						
IAM H5	1000	5	1094	17,4	250	300	350	350	400	6	161	120	173	697
	1200	5	1232	19,6	250	300	350	300	350	6	161	120	173	697
	1400	5	1376	21,9	250	300	350	300	350	6	161	120	173	697
	1500	5	1528	24,3	250	300	350	300	350	6	161	120	173	697
	1600	5	1690	26,9	250	300	350	300	340	6	161	120	173	697
	1800	5	1816	28,9	250	300	350	250	300	6	161	120	173	697
	2000	5	2127	33,9	250	300	350	230	260	6	161	120	173	697
	2200	5	2221	35,3	250	300	350	220	240	6	161	120	173	697

www.Laheghic.com

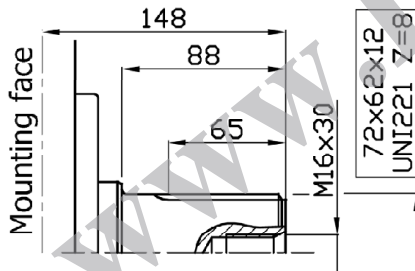
# IAM H5 - DIMENSIONAL DRAWINGS

## IAM 1000-1200-1400-1500-1600-1800-2000-2200 H5

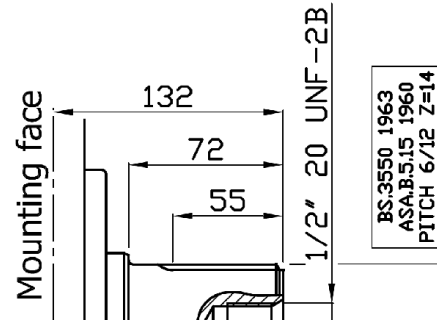


### SHAFT OPTIONS

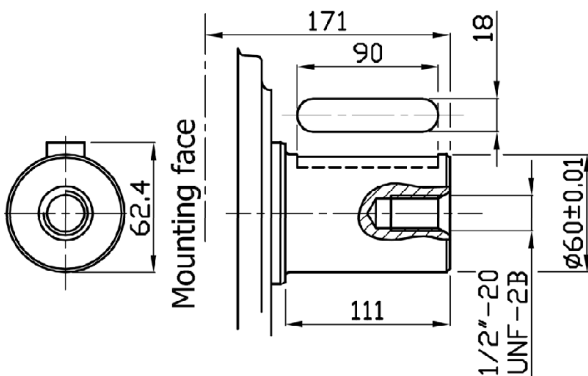
A0: Standard splined shaft



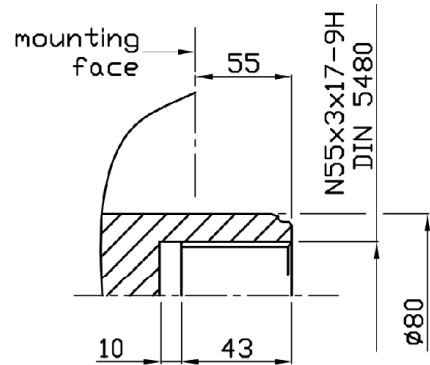
A1: Splined shaft on request



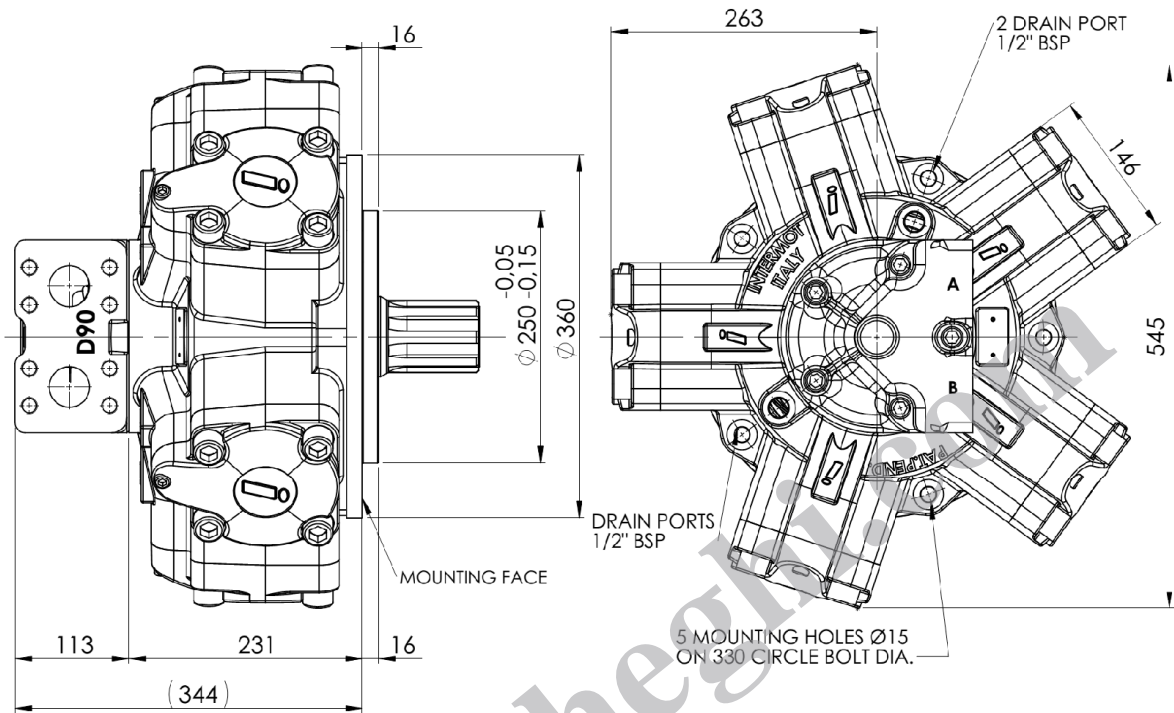
A2: Parallel shaft on request



A3: Female shaft on request

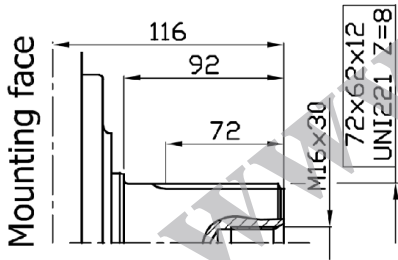


**IAM 1200/C – 1400/C – 1500/C H5**

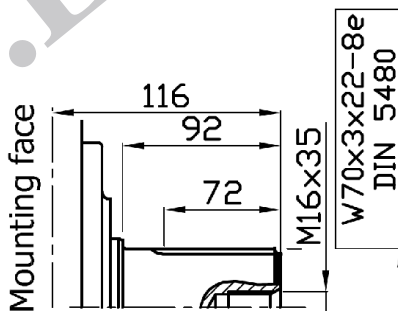


**SHAFT OPTIONS**

A0: Standard splined shaft

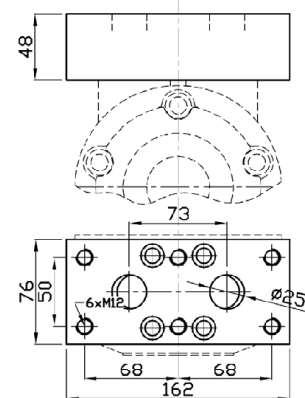


A1: Splined shaft on request

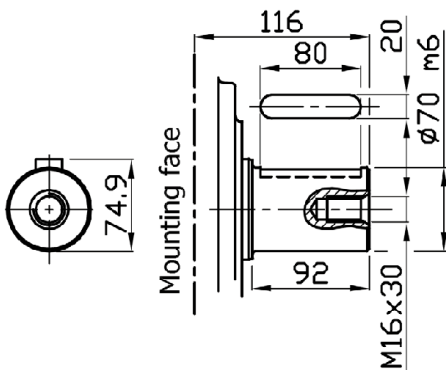


FL3: Connection block

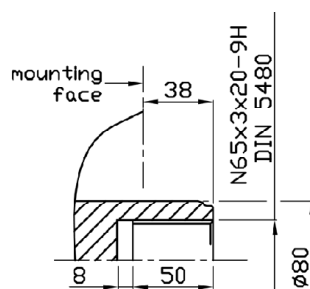
Connection block, fitting D55 distributor, fo motor MR 1100/1400/1600/1800/2100



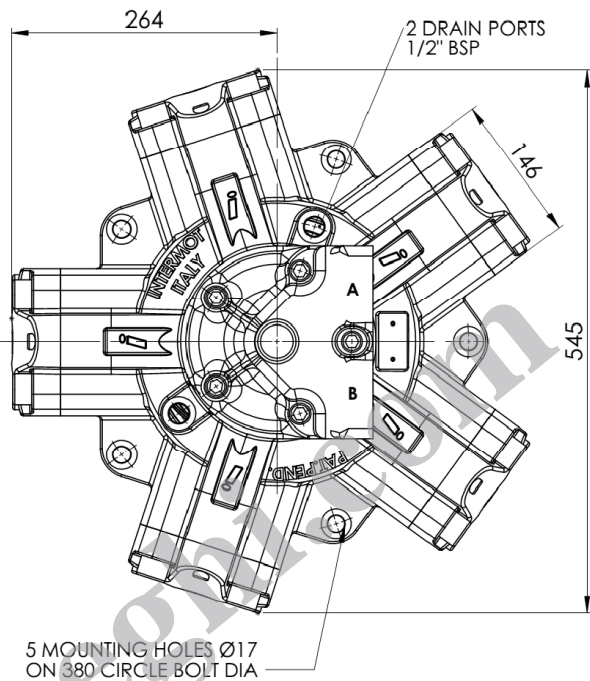
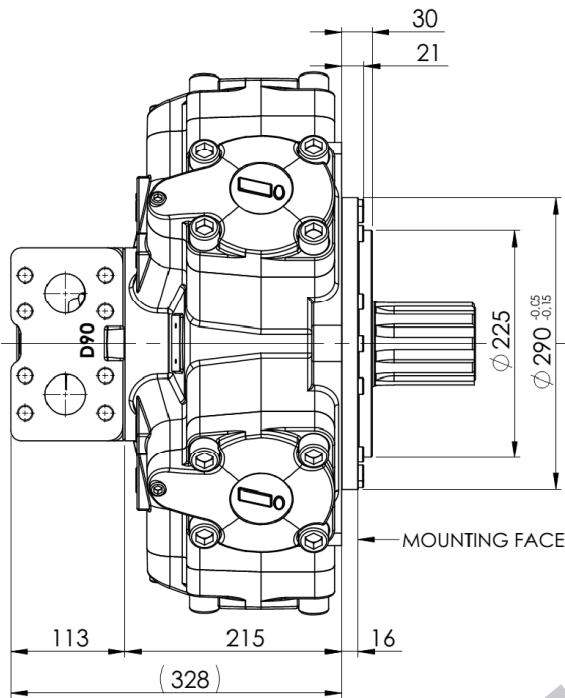
A2: Parallel shaft on request



A3: Female shaft on request



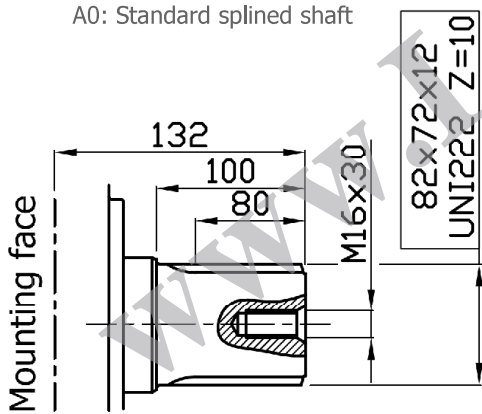
**IAM 1600/C – 1800/C – 2000/C – 2200/C H5**



**SHAFT OPTIONS**

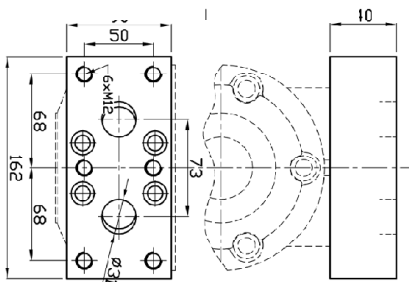
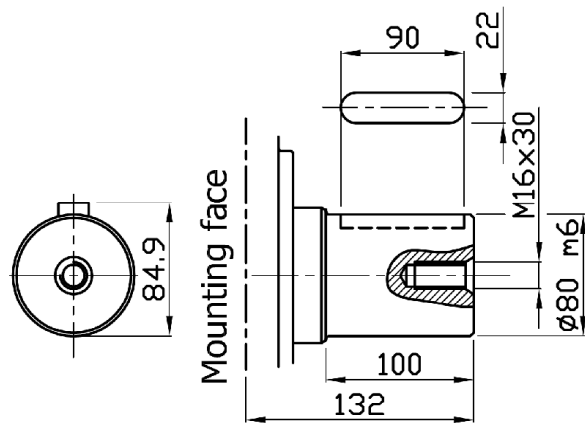
A0: Standard splined shaft

A2: Parallel shaft on request

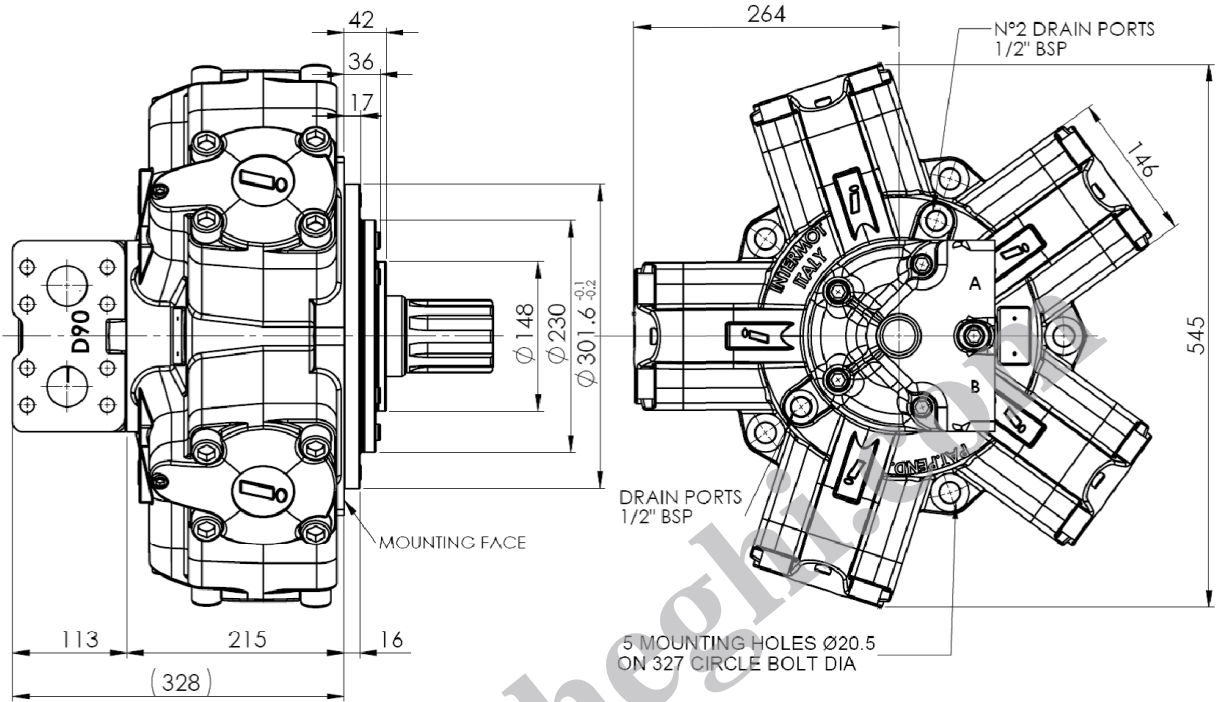


FL4: Connection block

Connection block, fitting D75 distributor, for motor MR 1100/1400/1600/1800/2100



**IAM 1000/B60 – 1400/B80 – 1600/B100 H5**

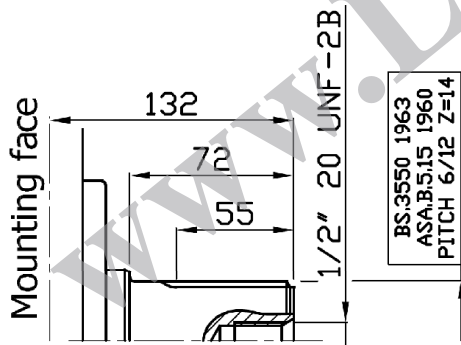


**SHAFT OPTIONS**

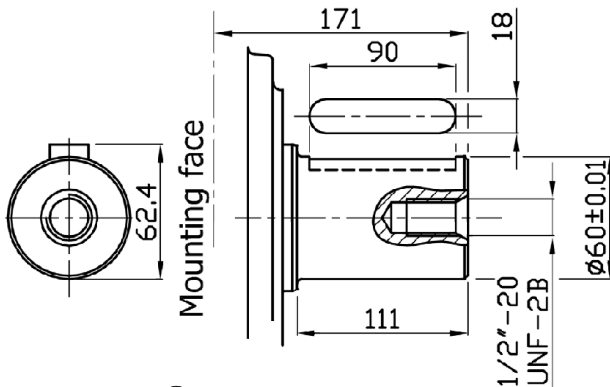
A1: Standard splined shaft

FL5: Connection block

FL6: Connection block

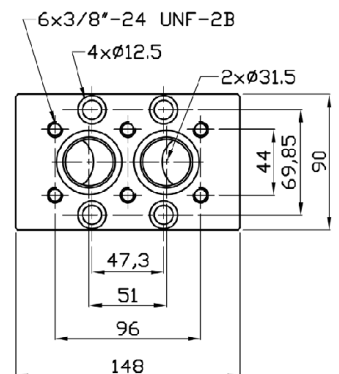
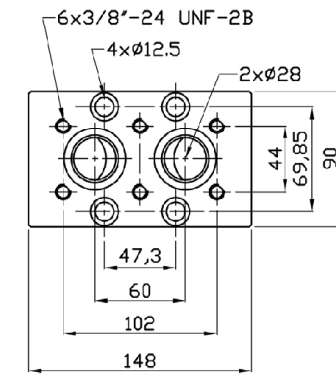
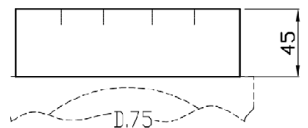
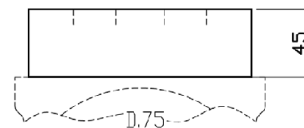


A2: Parallel shaft on request

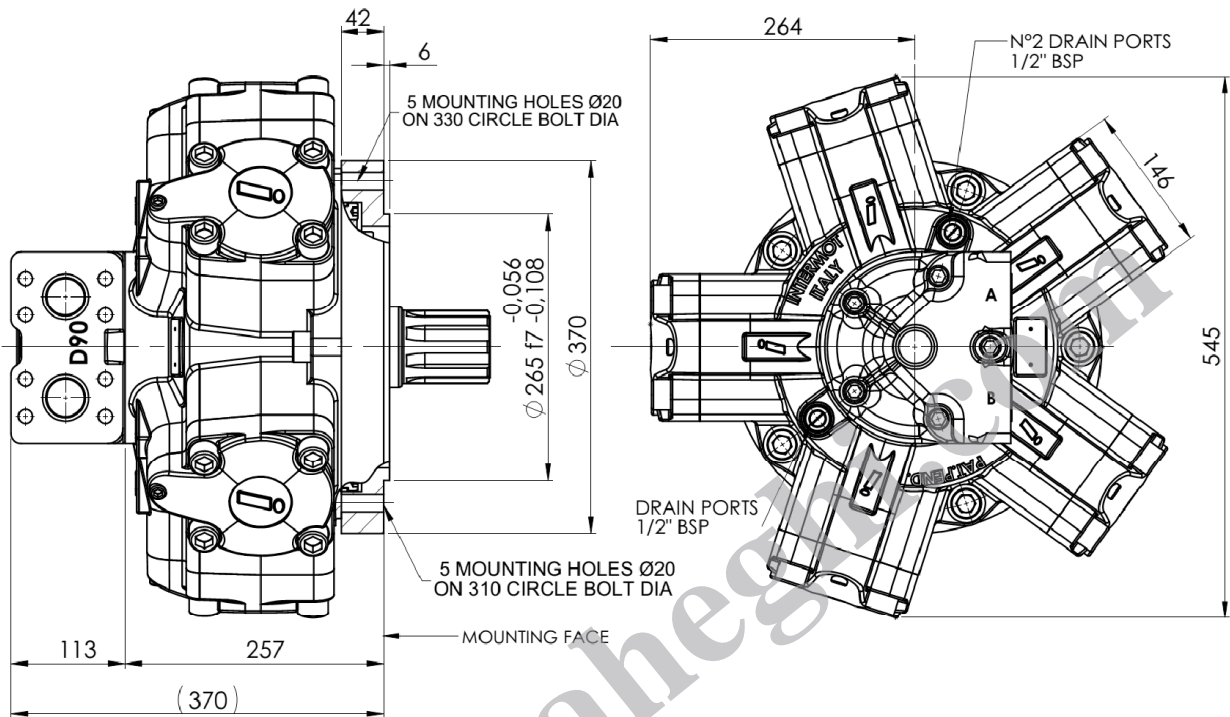


S03 plate for D75 distributor

S04 plate for D75 distributor

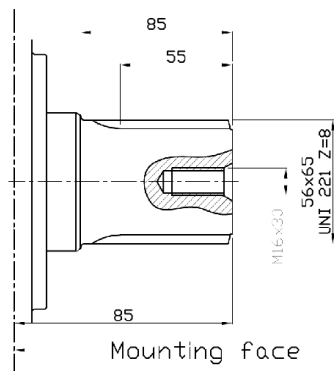


IAM 1000/GM5 – 1200/GM5 – 1400/GM5 – 1500/GM5 – 1600/GM5 – 1800/GM5 – 2000/GM5 – 2200/GM5 H5

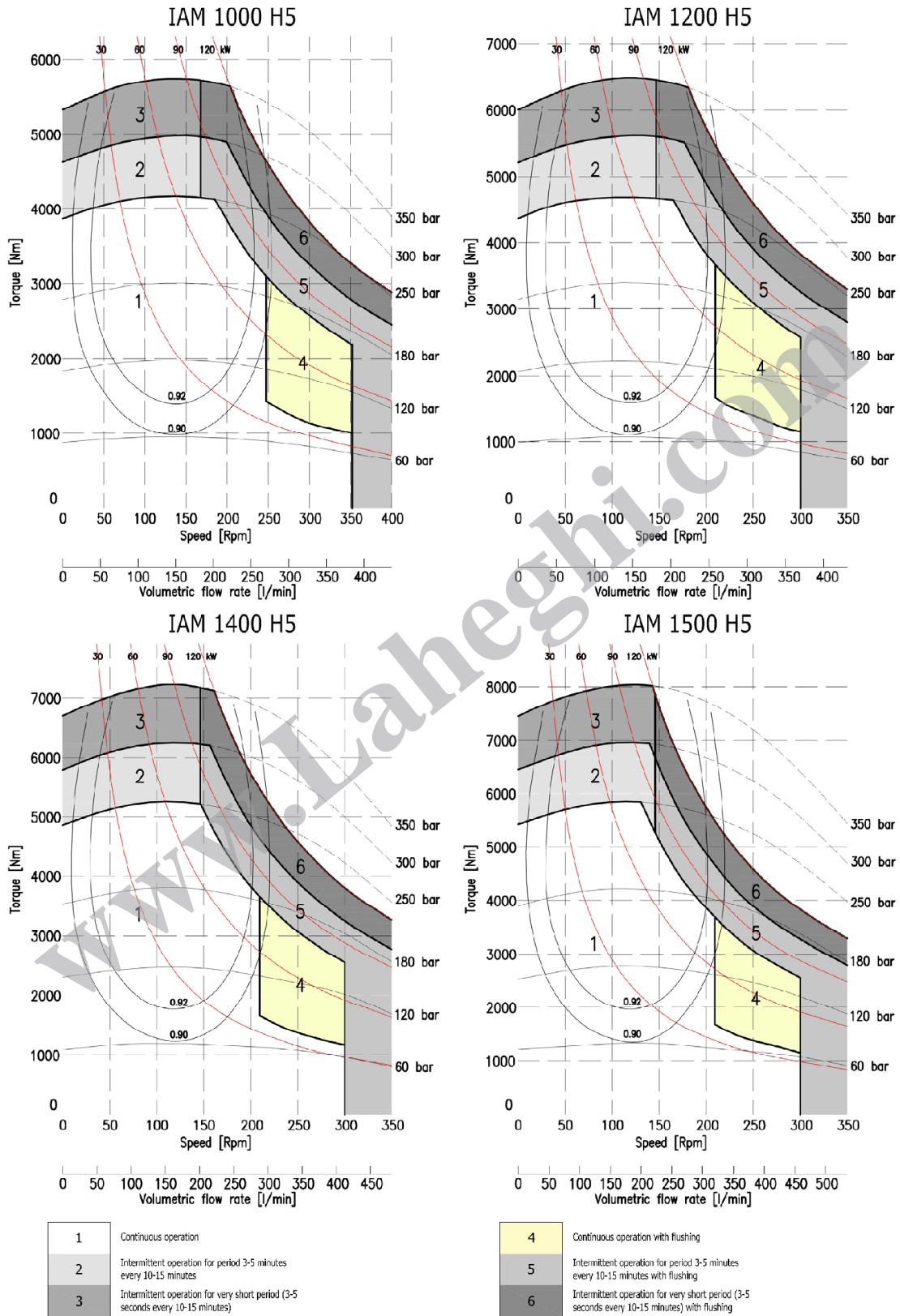


SHAFT OPTIONS

A0: Standard splined shaft

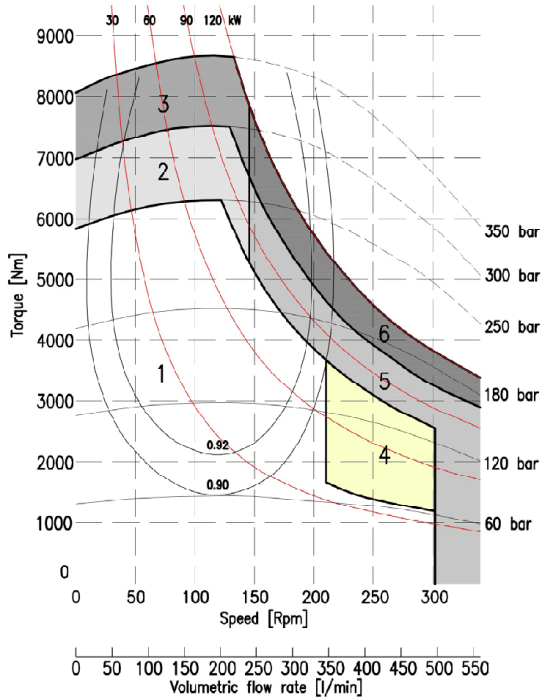


# IAM H5 - POWER CHARTS

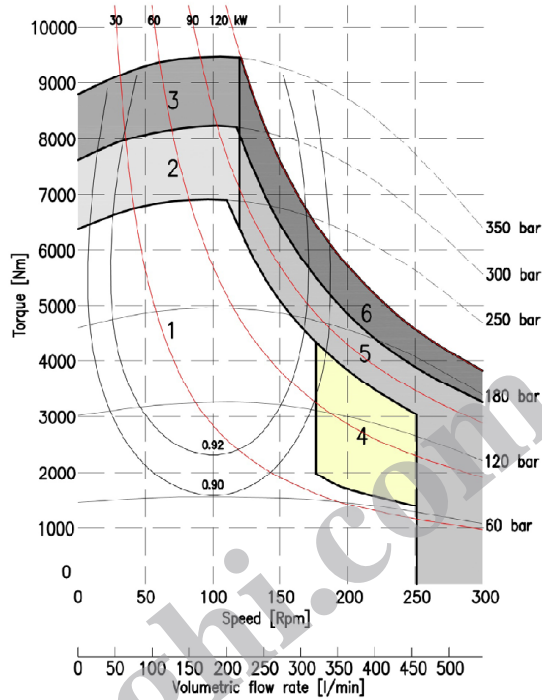




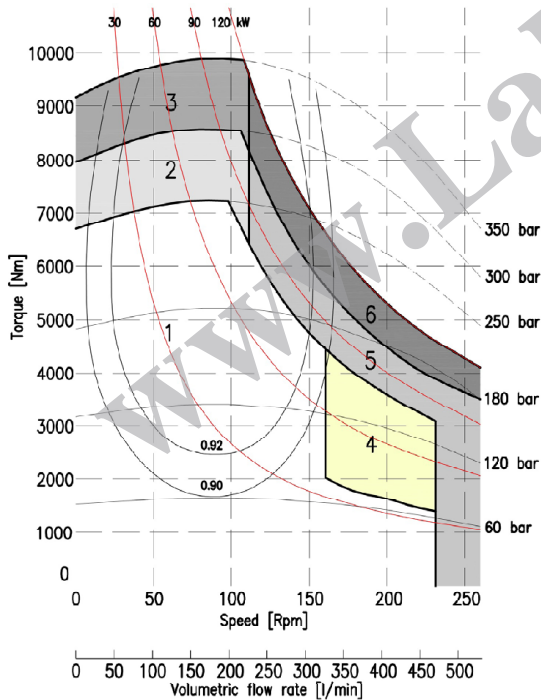
IAM 1600 H5



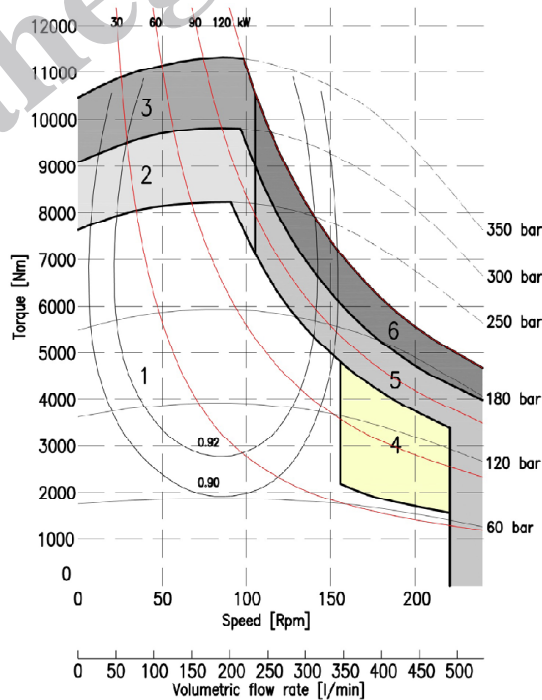
IAM 1800 H5



IAM 2000 H5



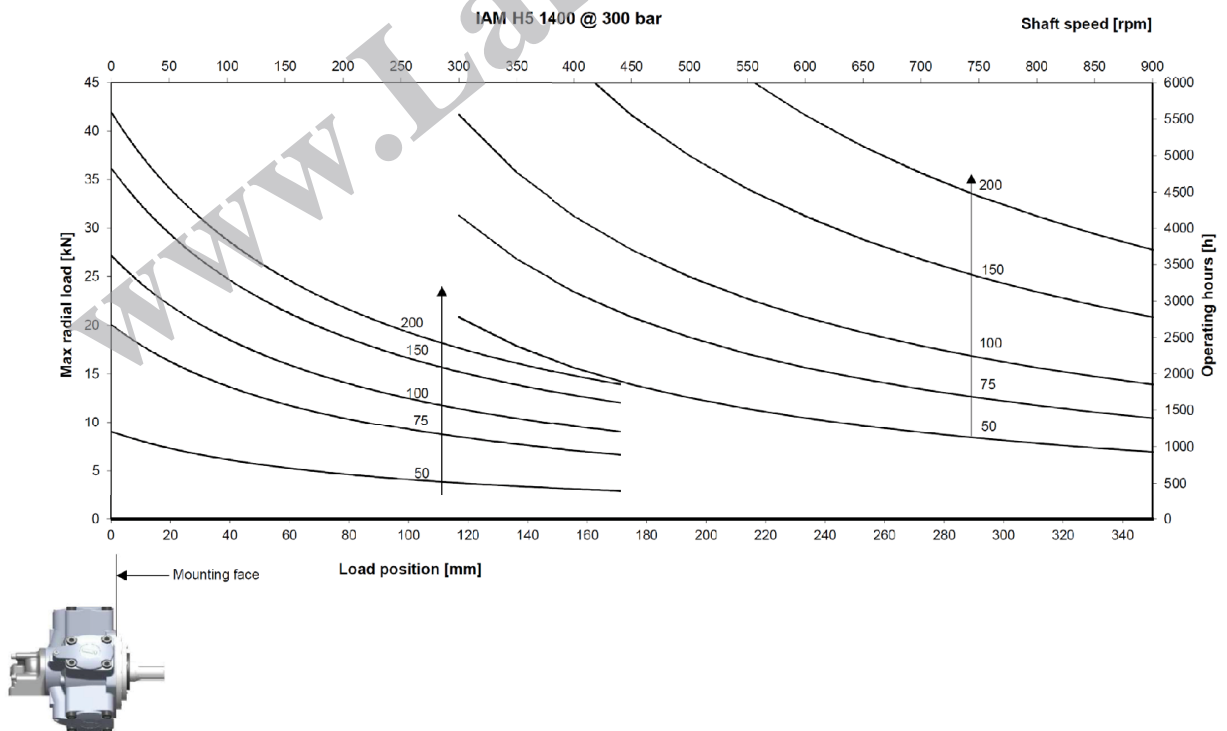
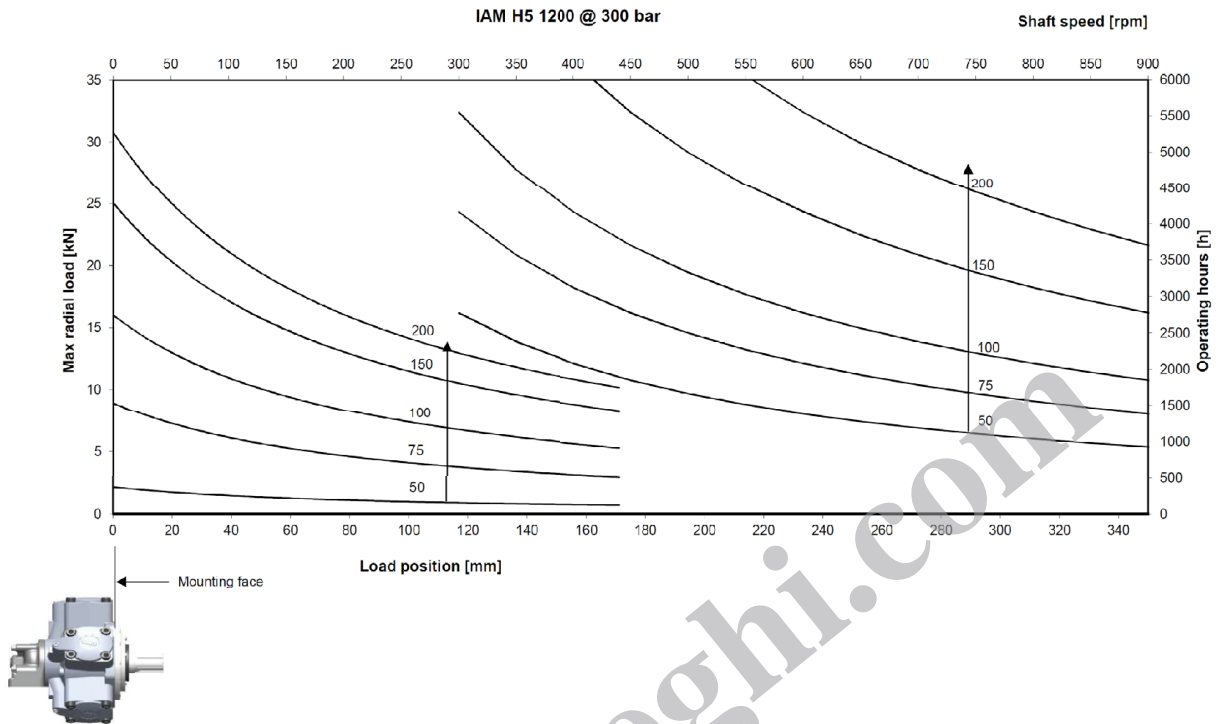
IAM 2200 H5

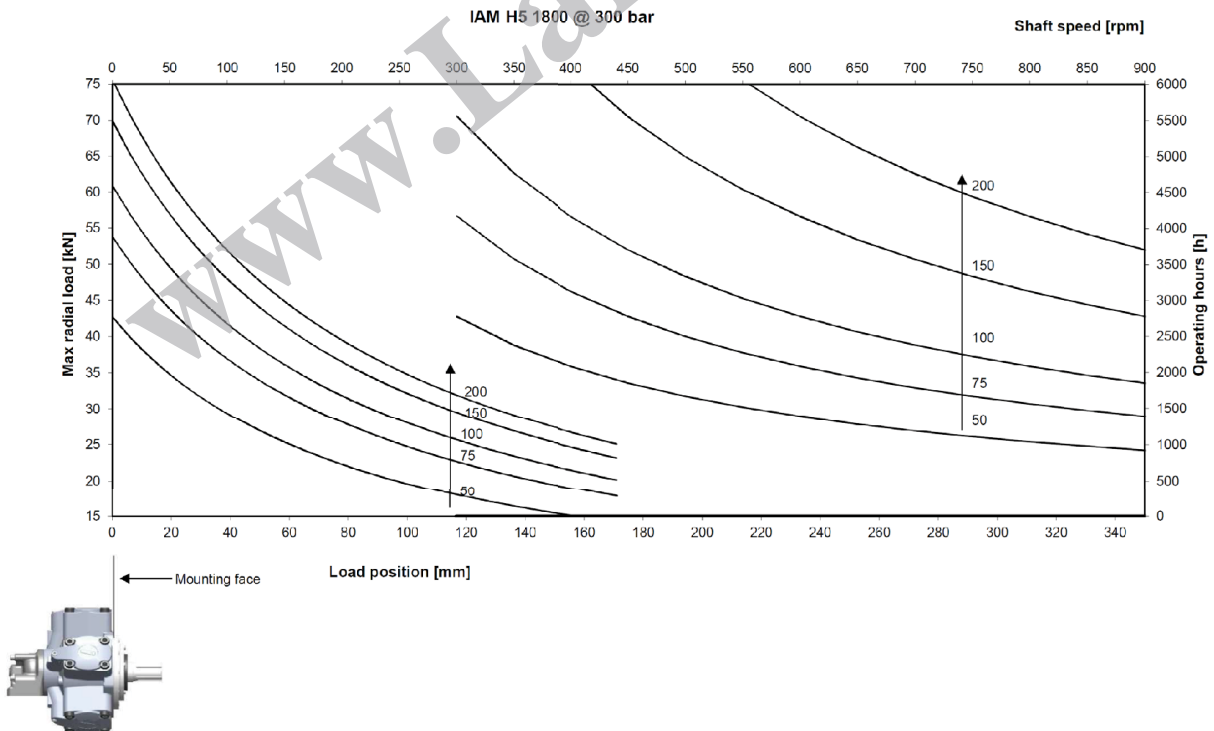
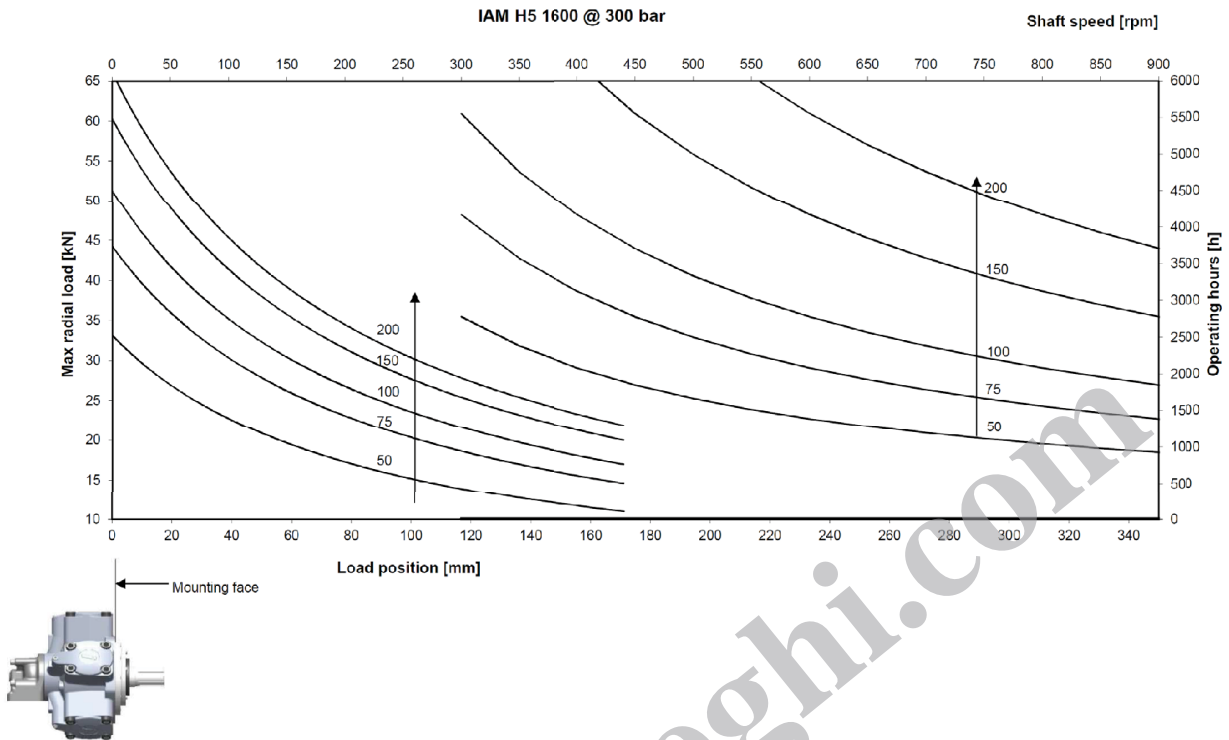


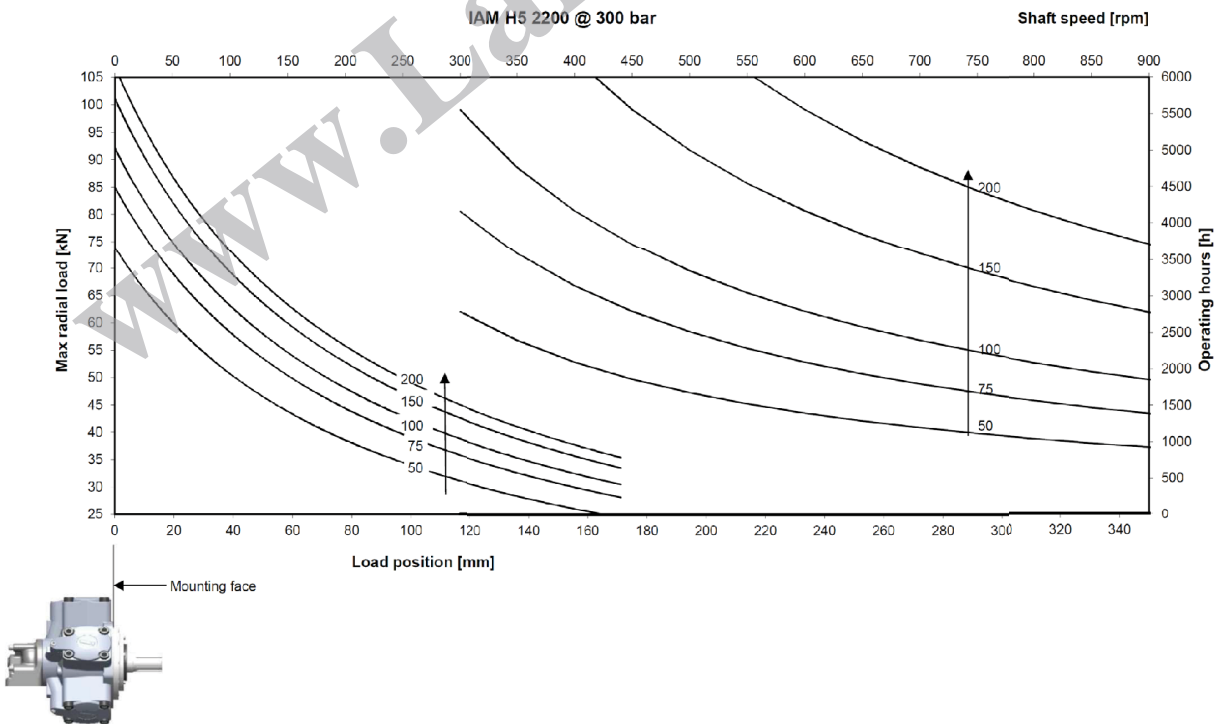
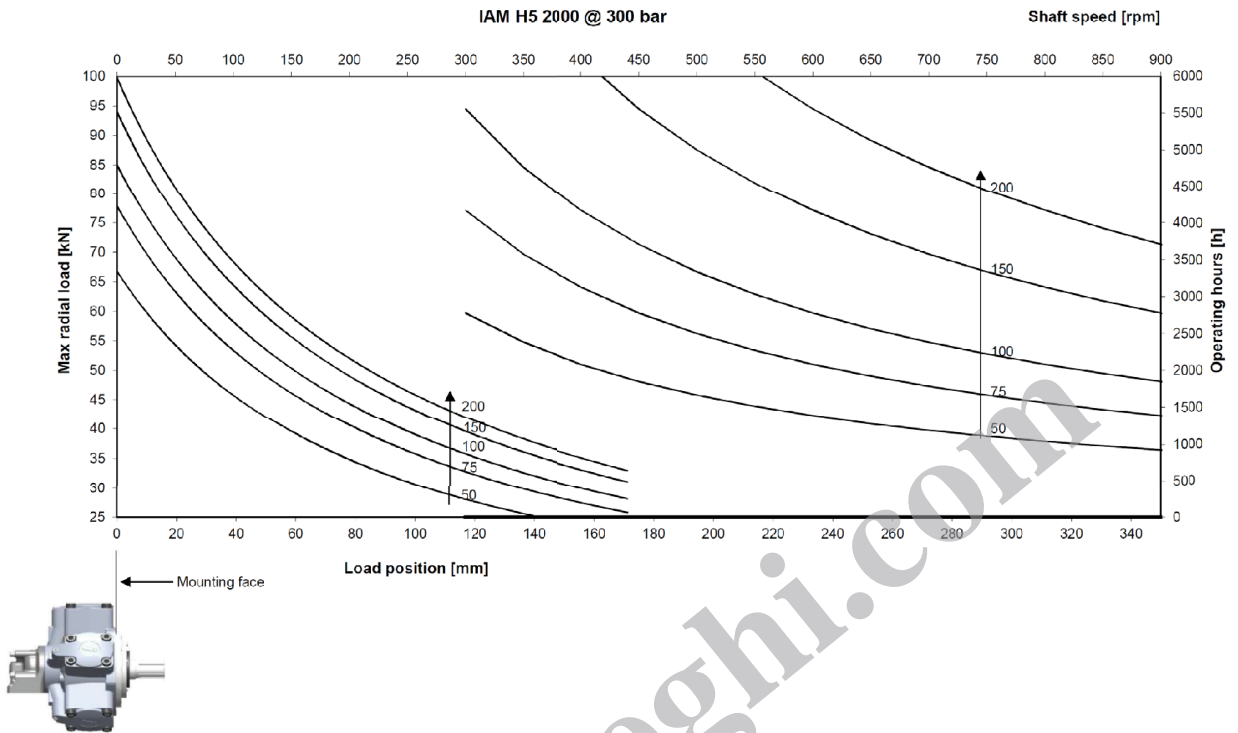
1	Continuous operation
2	Intermittent operation for period 3-5 minutes every 10-15 minutes
3	Intermittent operation for very short period (3-5 seconds every 10-15 minutes)

4	Continuous operation with flushing
5	Intermittent operation for period 3-5 minutes every 10-15 minutes with flushing
6	Intermittent operation for very short period (3-5 seconds every 10-15 minutes) with flushing

# IAM H5 - SIDE LOAD CHARTS







# IAM H5 - ORDERING INSTRUCTIONS

IAM	----	/_	H5	A _	D _ _	----	SB _ _
<b>Model</b> IAM							
<b>Displacement</b> 1000 cc/rev 1200 cc/rev 1400 cc/rev 1500 cc/rev 1600 cc/rev 1800 cc/rev 2000 cc/rev 2200 cc/rev							
<b>Interchangeability</b> /C /B60 /B80 /B100 /GM5 /S							
<b>Housing</b> H5							
<b>Shaft</b> A0 – Standard splined shaft A1 – Special splined shaft A2 – Parallel keyed shaft A3 – Female shaft							
<b>Distributor</b> D31 – ¾" BSP D31G – ¾" BSP D310 – 1" BSP D40 – 1" BSP D47 – SAE 1" 3000 psi flange D75 - SAE 1 ½ " 3000 psi flange D90 - SAE 1 ½ " 6000 psi flange							
<b>Tachometer</b> TA TB EST EST.30 J							
<b>Spline billet</b> SB6 – 62 UNI 221 SB7 – BS 3550 SB8 - 72 UNI 222 SB17 - 56 UNI 221							

EXAMPLE :

IAM 1200 H5 A0 D90

IAM 1800/C H5 A0 D90 TA